

## **XB...**

### **Revised model**

The XB housing is an extra-robust, pressure-, saltwater- and corrosion-proof stainless steel housing for one or two SEIKA sensors. It can contain the same sensor models and electronics like the SB-housing. It is available with a compact stainless steel cable gland and a Subconn cable gland for seawater and underwater usage



### **Features**

- extra robust, pressure-, saltwater- and corrosion-proof stainless steel housing
- twist-free 4-point fastening of rigid 3.2mm thick base PCB
- can be equipped with one or two SEIKA sensors, like the SB-housing
- all SEIKA sensors fit the housing and can be installed in different directions of operation
- sensors and sensor electronics electrically isolated from housing
- individual calibration protocol
- for electrical characteristics, please see the datasheets of the corresponding SB-sensorboxes, like SB1I, SB2I, SB1S, SB1U, SBS1U and SB360

### **Description**

The XB.. is an extra robust, pressure-, saltwater- and corrosion-proof stainless steel housing with an integrated sensor or sensors and one of the sensor electronic systems described for the SB.. sensor casings.

The compact stainless steel cable gland and stainless steel housing size enable the use of this high quality measuring system in especially harsh operating conditions.

## Application

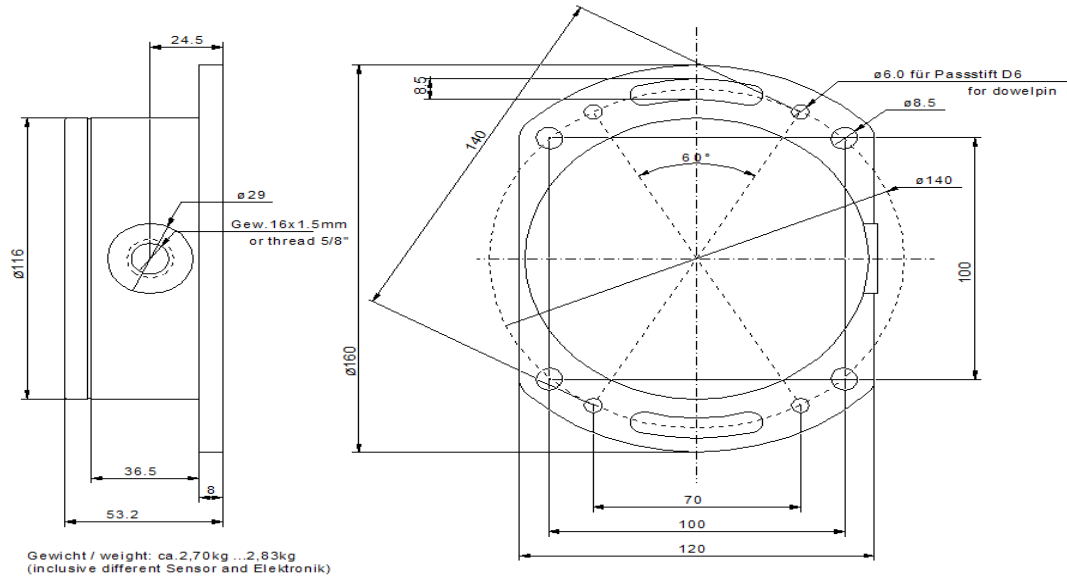
The XB.. is suited for taking precise inclination or acceleration measurements under harsh circumstances and returning of a 0...5V or 4...20mA output signal. Areas of application include construction, mining, agricultural machinery, transportation and conveyor systems, ships, in aggressive fluids and in saltwater, in high pressure environments, operation and automation technology as well as general mechanical engineering.

## Technical Specifications

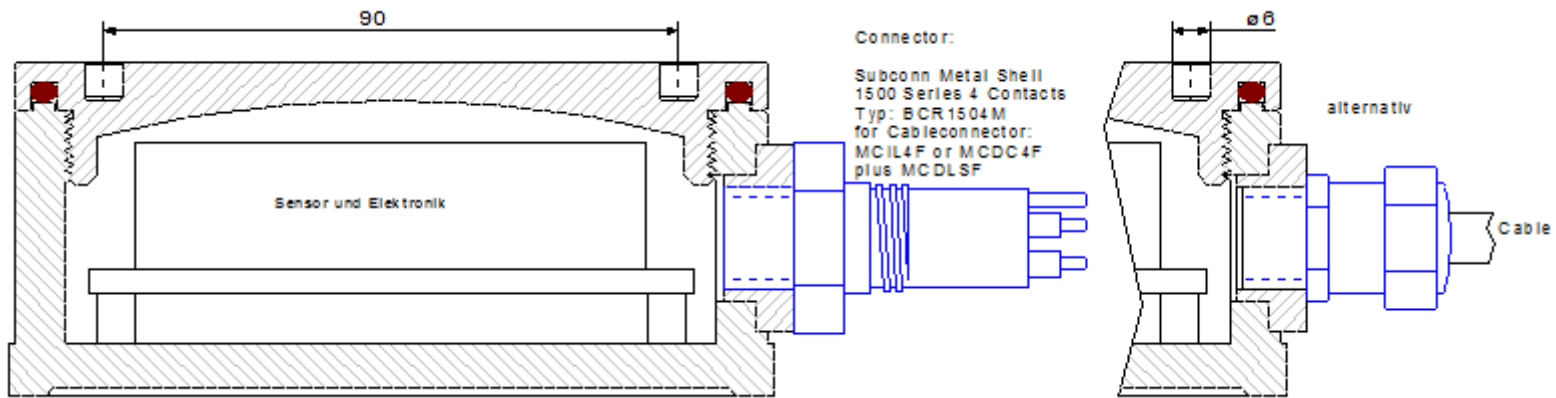
Housing material	V4A (saltwater proof)
Cable gland	PG9, clamping range 8mm - 10.5mm
Pressure resistance	100 bar (10Mpa), 1000m H2O with Subconn connector - higher pressure resistance is currently being tested
Terminals	depending on the built-in board
Measuring range, resolution, etc.	depending on the integrated sensor(s)
Mounting position	any
Measuring planes (N.. sensor)	3 main housing planes
Measuring plane (NG.. sensor)	parallel to housing bottom
Measuring directions (B.., BD.. sensor)	in X,Y,Z coordinates of housing
Electrical values	please see datasheets of identically equipped SB sensor boxes
Operating temperature	-40...+85°C

## Options

- custom measuring ranges, calibration protocol, silicon encapsulation, custom wiring
- Silicon potting
- Subconn connector and cable for seawater and deep-sea applications
- extended temperature range



## Dimensions



Please order connector plug (no. MCIL4F or MCDC4F), coupling ring (no. MCDLSF) and cable from your nearest Subconn distributor (not supplied).

**XB.. with underwater connector or cable gland**

---

## Nomenclature

XB1i = XB Housing including electronic and sensor like in the Sensorbox SB1I

XB2I = XB Housing including electronic and sensors like in the Sensorbox SB2I

XB1U = XB Housing including electronic and sensor like in the Sensorbox SB1U

XB1S = XB Housing including electronic and sensor like in the Sensorbox SB1

XBS1U = XB Housing including electronic and sensor like in the Sensorbox SBS1U

XB360 = XB Housing including electronic and sensor like in the Sensorbox SB360

---

## Accessory - **XBW1** (special screw-top opener)



Typical use

