

# RE55 CONTROLLER

## FEATURES:



- Temperature input (thermocouple or resistance thermometer).
- Control output: relay or transistor.
- Alarm output: relay (option).
- Control: on/off of PID with auto-tuning (option).
- Setting of the set point value by means of the knob.
- Programming push-buttons (option).

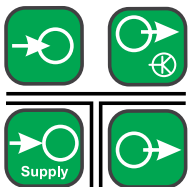
## INPUT:



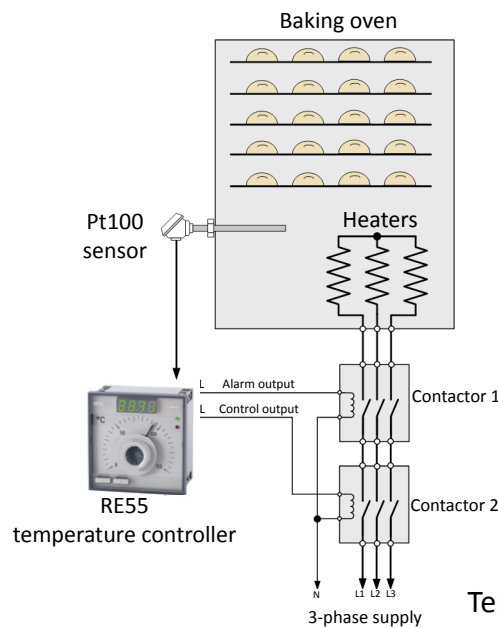
## OUTPUTS:



## GALVANIC ISOLATION:



## EXAMPLE OF APPLICATION



Temperature control in a baking oven.

### INPUT

Input type	Range	Error	Basic error
Pt100	-50 .. 100°C	0.8°C	Compensation of thermocouple cold junction temperature changes: ≤ 2°C
Pt100	0 .. 100°C	0.5°C	
Pt100	0 .. 150°C	0.8°C	
Pt100	0 .. 250°C	1.3°C	Ambient temperature change: ≤ 100% of basic error/ 10 K
Pt100	0 .. 400°C	2.0°C	
Pt100	0 .. 600°C	3.0°C	Resistance thermometer line resistance change: ≤ 50% of basic error
Fe-CuNi (J)	0 .. 250°C	2.0°C	
Fe-CuNi (J)	0 .. 400°C	2.0°C	
Fe-CuNi (J)	0 .. 600°C	3.0°C	
Fe-CuNi (J)	0 .. 900°C	4.0°C	
NiCr-NiAl (K)	0 .. 600°C	3.0°C	
NiCr-NiAl (K)	0 .. 900°C	4.0°C	
NiCr-NiAl (K)	0 .. 1300°C	6.0°C	
PtRh10-Pt (S)	0 .. 1600°C	8.0°C	

### OUTPUT

Output type	Properties	Remarks
Relay (control)	- 1 output	switch-over contact, 2 A/ 230 V
Transistor voltage (control)	- 1 output 5 V	resistance limiting the current 10 Ω, without isolation from input side
Relay (alarm)	- 1 output	NO contact, 1 A/ 230 V

Export department:  
+48 68 45 75 139/ 321/ 368  
Fax: +48 68 32 54 091  
e-mail: export@lumel.com.pl

LUMEL S.A.  
ul. Sulechowska 1  
65-022 Zielona Góra  
POLAND  
[WWW.LUMEL.COM.PL](http://WWW.LUMEL.COM.PL)

## EXTERNAL FEATURES

Readout field	LED	10 mm, 4 digits
Overall dimensions	96 × 96 × 65 mm	
Weight	< 0.3 kg	
Protection grade	from frontal side: IP40	from terminal side: IP20

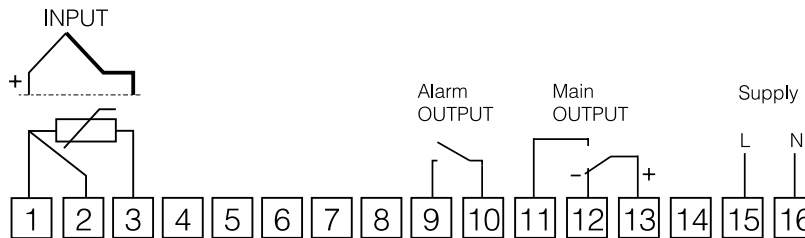
## RATED OPERATING CONDITIONS

Supply voltage	85 .. 253 V d.c./a.c.	frequency: 40 .. 440 Hz
Temperature	ambient: 0...23...50°C	storage: -20...70°C
Humidity	< 85% without condensation	
Operating position	any	
External magnetic field	< 400 A/m	
Power input	< 4 VA	

## SAFETY AND COMPATIBILITY REQUIREMENTS

Electromagnetic compatibility	noise immunity	acc. to EN 61000-6-2
	noise emissions	acc. to EN 61000-6-4
Pollution level	2	
Installation category	III	
Maximum phase-to-earth operating voltage	for supply circuit, output: 300 V	for input circuits: 50 V
Altitude above sea level	up to 2000 m	

## CONNECTION DIAGRAMS



## ORDERING

		RE55 -	XX	X	X	XX	X
<b>Input:</b>							
Pt100/1.3850	-50..100°C		01				
	0..100°C		02				
	0..150°C		03				
	0..250°C		04				
	0..400°C		05				
	0..600°C		06				
Fe-CuNi (J)	0..250°C		07				
	0..400°C		08				
	0..600°C		09				
	0..900°C		10				
NiCr-NiAl (K)	0..600°C		11				
	0..900°C		12				
	0..1300°C		13				
PtRh10-Pt (S)	0..1600°C		14				
as per order*			99				
<b>Option:</b>							
on/off controller				1			
PID controller				2			
configurable controller with push-buttons				3			
<b>Control output:</b>							
relay					1		
voltage 0/5 V					2		
<b>Version:</b>							
standard						00	
custom-made*						XX	
<b>Additional quality requirements:</b>							
without additional quality requirements							8
with an extra inspection quality certificate							7
acc. to customer's request**							X

### Order example:

The code: **RE55 - 02 1 1 00 8** means:

**RE55** - controller of RE55 type

**02** - input Pt100: 0..100°C

**1** - on/off control

**1** - control output: relay

**00** - standard version

**8** - without additional quality requirements.

For more information  
about LUMEL's  
products please visit  
our website:  
[www.lumel.com.pl](http://www.lumel.com.pl)

**Export department:**  
+48 68 45 75 139/ 321/ 368  
Fax: +48 68 32 54 091  
e-mail: [export@lumel.com.pl](mailto:export@lumel.com.pl)

LUMEL S.A.  
ul. Sulechowska 1  
65-022 Zielona Góra  
POLAND  
**WWW.LUMEL.COM.PL**