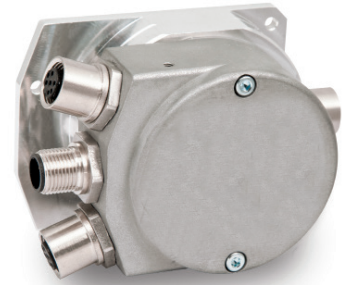
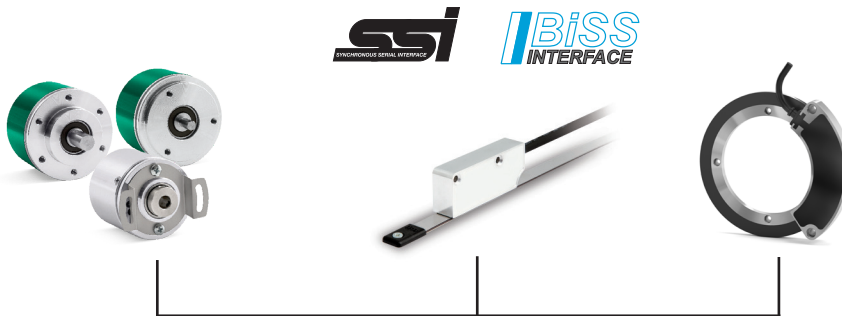


- Linear & rotary encoder gateway and converter
- SSI and BiSS input
- All typical encoder functions available
- Position output
- Selectable encoder supply 5, 24Vdc
- Robust metal housing, IP65 protection
- DIN-rail snap-on installation possible



IF56



FUNCTIONS

Position output, scaling function, preset, offset, counting direction, diagnostics

ENVIRONMENTAL SPECIFICATIONS

Shock:	250 g, 6 ms acc. to CEI EN 60068-2-27
Vibrations:	10 g, 5-2000 Hz acc. to CEI EN 60068-2-6
Protection:	IP65
Operating temperature range:	-25°C +85°C (-13°F +185°F)
Storage temperature range:	-25°C +85°C (-13°F +185°F)

MECHANICAL SPECIFICATIONS

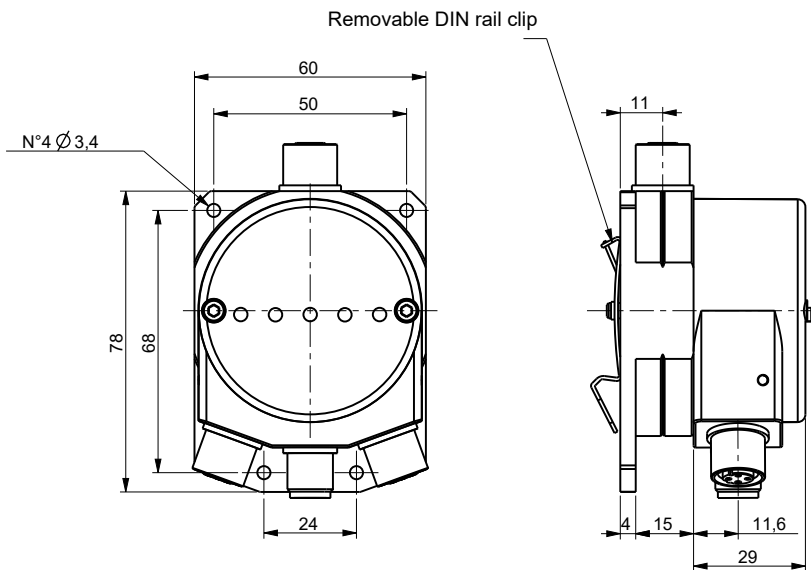
Dimensions:	see drawing
Electrical connections:	SSI input M12 8 pin connector (female) Output with M12 connectors according to specifications
Weight:	~ 250 g

ELECTRICAL SPECIFICATIONS

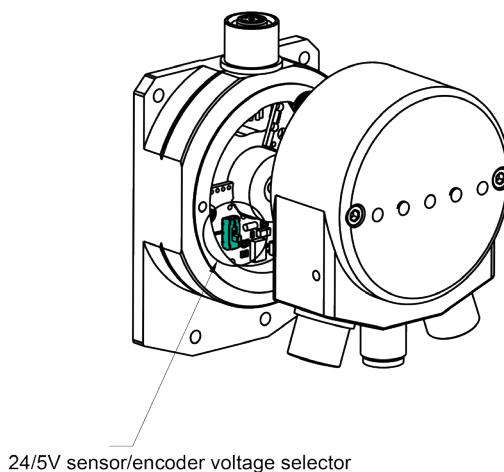
Output power supply (for encoders):	10Vdc +30Vdc, 5Vdc selectable
Output current:	with output voltage set to 5Vdc: 500 mA with output voltage set to 10Vdc: 1000 mA(*) (*) output voltage is equal to power supply
Power consumption (excl. sensor):	2,5 W max. interface EC, EP, PL, PT, MT, CC
SSI/BiSS input:	single turn: 18 bit max. multi turn: 16 x 16 bit, max. 30 bit linear sensors: 30 bit max., resolution 1µm ÷ 5000µm code: binary or gray, LSB or MSB aligned protocol, max. 32 clock
Clock rate:	BiSS: 125 kHz - 10 MHz SSI: 125 kHz - 2 MHz
Output interfaces:	EtherCAT: ETG.1000, CoE, FoE, EtherCAT state machine Profinet IRT/RT Ethernet Powerlink V2.0, Profile 1.2.0 Ethernet/IP Vol. 2 Ed.1.22 Ethernet Modbus TCP/IP CC-LinkIE Field Basic

ACCESSORIES

EC-M12ME-EC-GN-L050:	M12 bus in/out cordset 5 m
EC-M12ME-EC-GN-L100:	M12 bus in/out cordset 10 m
EXC-M12ME-EC-GN-L050-RJ:	M12 + RJ bus in/out cordset 5 m
EXC-M12ME-EC-GN-L100-RJ:	M12 + RJ bus in/out cordset 10 m
EC-M12PP-LK-PBS-L050:	M12 Pwr cordset 5 m
EC-M12PP-LK-PBS-L100:	M12 Pwr cordset 10 m
E-M12FC:	M12 connector (power supply)
E-M12MEC:	2 x M12 connector (bus IN/OUT)
EC-M12ME90-EC-GN-L050:	Ethernet M12 radial cordset with 5 m cable
EC-M12ME90-EC-GN-L100:	Ethernet M12 radial cordset with 10 m cable
EXC-M12ME90-EC-GN-L050-RJ:	Cordset M12 radial plug with 5 m cable + RJ conn.
EXC-M12ME90-EC-GN-L100-RJ:	Cordset M12 radial plug with 10 m cable + RJ conn.
EC-M12PP90-LK-PBS-L050:	Pwr supply cordset M12 radial plug 5 m cable
EC-M12PP90-LK-PBS-L100:	Pwr supply cordset M12 radial plug 10 m cable
EXC-M12ME90-EC-GN-L050-M12ME90-EC:	Cordset M12 radial 5 m cable + M12 radial plug
EXC-M12ME90-EC-GN-L100-M12ME90-EC:	Cordset M12 radial 10 m cable + M12 radial plug



IF56



Recommended encoder series

Linear encoder, up to 0.001mm:	SMA2, SMA21 series
Rotary miniature encoder:	EHO36, EHM36, AM36, MM36 series
Magnetic encoder for rings and round axes:	SMRAM, SMAB series

Order code

IF56	XXX Ⓐ	XX Ⓑ
-------------	-----------------	----------------

<p>Ⓐ INPUT ROT = rotary sensors LIN = linear sensors</p>	<p>Ⓑ OUTPUT EC = EtherCAT PT = Profinet EP = Ethernet/IP MT = Modbus TCP/IP PL = Powerlink CC = CC-Link</p>
---	--

Document release	Date	Description
1.0	September 2024	First issue