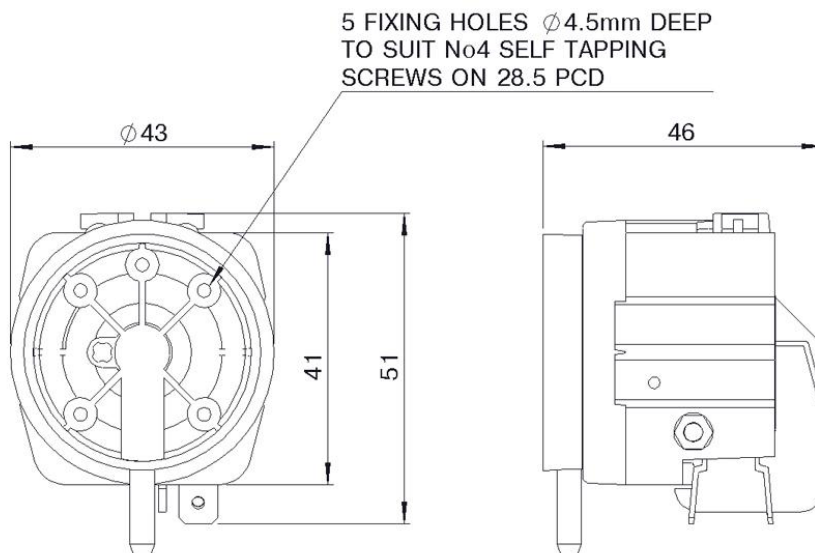


6721-20 - Side Entry Vacuum Switch

- Vacuum range - 32 to 80mBar
- Burst Pressure - 2550mBar
- Pressure connection - Side entry, 4mm spout
- Single pole change over contacts
- Diaphragm material - Neoprene
- Operating Temperature -5°C to $+70^{\circ}\text{C}$
- Electrical rating - 21A 250V AC



Reference Dimensions



Specifications

Electrical rating	21A 250V AC
Contact Configuration	Single pole change over
Degree of protection	N/A
Operating temperature	-5°C to $+70^{\circ}$
Body Material	Thermoplastic
Connection method	4mm side entry spout
Weight	Approx.: 0.05kg