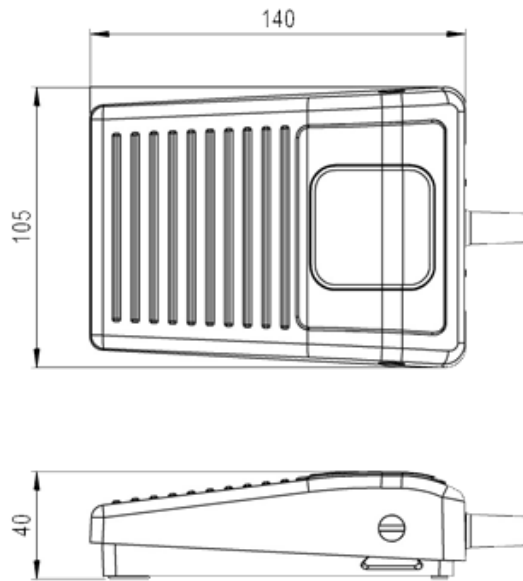


# 6210-0001 - Pneumatic Footswitch

- Light duty industrial footswitch
- Economic / versatile plastic switch designed to reduce operator fatigue
- Single pedal 6210 pneumatic footswitch, black cover with, black base
- Fitted with 3 meters of black tubing 3mm I/D, 6mm O/D
- Operating Temperature: - 10°C to +40°C.

## Images & reference dimensions



## Specifications

|                       |  |
|-----------------------|--|
| Electrical rating     | N/A  |
| Contact Configuration | N/A  |
| Degree of protection  | N/A  |
| Operating temperature | -10°C to +40°C   |
| Body Material         | Thermoplastic  |
| Connection method     | 3 meters of black tubing 3mm I/D, 6mm O/D  |
| Weight                | Approx.: 0.25kg  |
| Pressure range        | Works with 6871, 6872, 6773, 6753, 6891, 6893, 6861, 6862m 6863, 6864, 6869 - dependent on tube length |