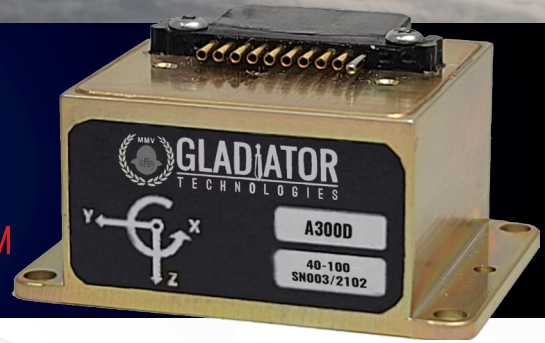


New Product



# A300D

Three Axis Accelerometer with VELOX™



The new SX2, A300D three-axis MEMS accelerometer offers **the latest advancements in inertial technology**. It is equipped with low noise sensors, cutting edge VELOX™ processing and user configurable firmware with the most advanced features available. In addition, the A300D accelerometer comes factory calibrated over temperature and is conditioned to repeatably perform over demanding environments.

0.058 mg /√Hz  
VRW

±40 g  
Sensor Range

0.5 mg  
Bias Over Temperature

800Hz  
Bandwidth

0.6  
Cubic Inches

44μs  
Message Delay

**Low Noise. High Speed.**  
*Inertial Systems and Sensors*



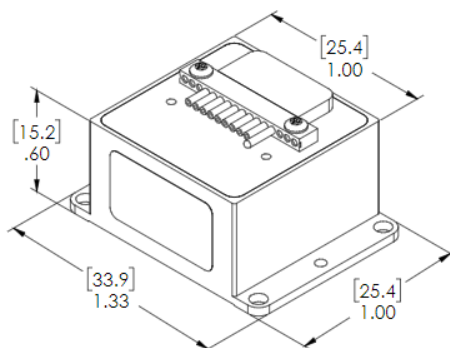
# A300D Accelerometer

Performance	
Range	± 40 g
VRW	0.024 m/s/vHr / 0.058 mg/√Hz
Bias In-Run	0.015 mg
Bias Over Temp.	0.5 mg
Vibration Rectification	250 µg/g <sup>2</sup>
Scale Factor Error	≤ 0.02%
Alignment	0.5 mrad
Environment	
Shock	1000g ½ sine 1 ms powered on
Vibration	10 gRMS (50 Hz to 2 kHz)
Calibrated Temp	-50°C to 85°C
Non-Operating Temp	-55°C to 105°C
Interface with VELOX™	
Data Interface	RS-422/485
Data Rate	5 kHz
External Sync	8 kHz
Max Baud Rate	3.0 Mbaud
Max Bandwidth	800 Hz
Digital Message Delay	44 µs
Electrical	
Input Voltage	+5.0 V to +5.5 V Input (single sided)
Power Consumption	275 mW Typical / 375 mW Maximum
Mechanical	
Mass	19.25 grams ±0.5
Size	Metric: 2.54 x 2.54 x 1.52 = 9.81 cm <sup>3</sup> US: 1.0 x 1.0 x 0.6 = 0.6in <sup>3</sup>

All performance parameters 1σ  
 Specification subject to change without notice  
 Rev. 3.1.21

Further Technical  
 Information Available:

[sales@gladiatortechnologies.com](mailto:sales@gladiatortechnologies.com)



**NON ITAR**



**GLADIATOR**  
 TECHNOLOGIES

Gladiator Technologies  
 8022 Bracken Pl SE  
 Snoqualmie, WA 98065, USA

425.363.4180  
[www.gladiatortechnologies.com](http://www.gladiatortechnologies.com)  
[sales@gladiatortechnologies.com](mailto:sales@gladiatortechnologies.com)