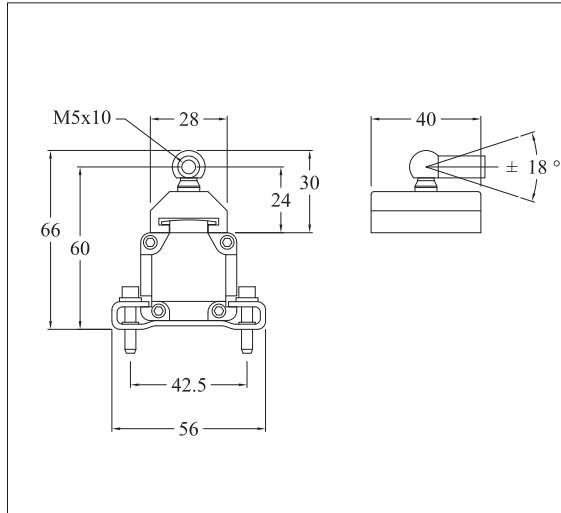
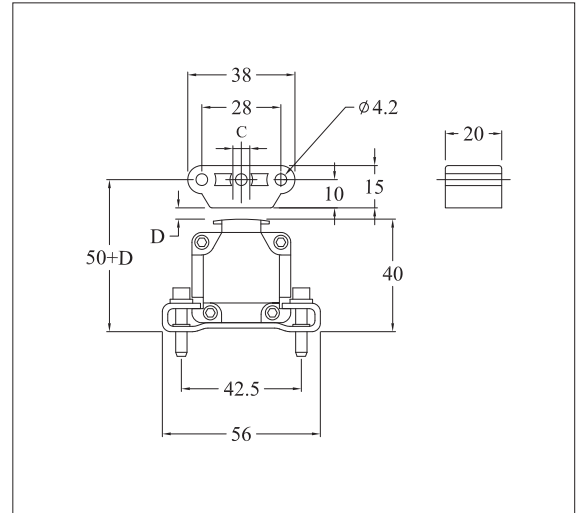


Discription
For series

Captive
18/19 Series



Floating
18/19 Series



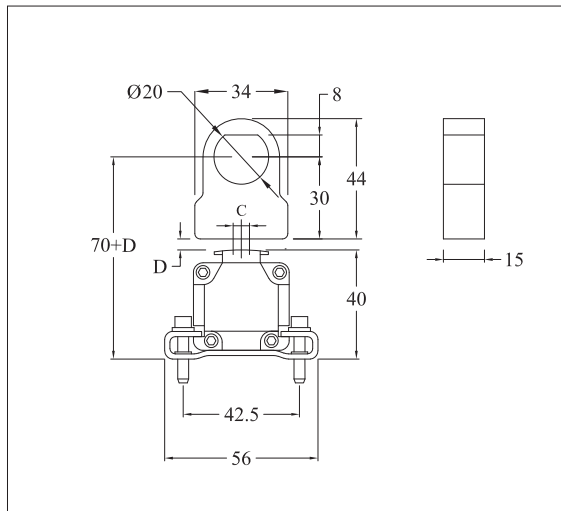
Order Code
Material
Weight
Vertical distance (D)
Lateral offset (C)
Operation Temperature

1800 951 001
Plastic
~30g
Fixed
Fixed
-40 to 75°C

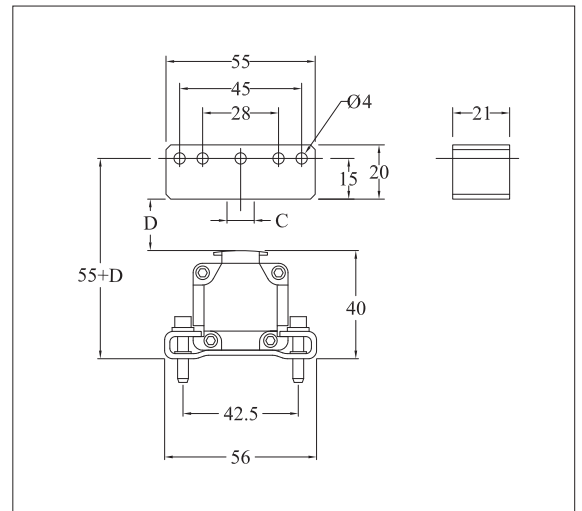
1800 951 002
Plastic
~12g
0.1 - 4mm
±8 m m
-40 to 75°C

Discription
For series

Die-cast
18/19 Series



Large floating
18/19 Series



Order Code
Material
Weight
Vertical distance (D)
Lateral offset (C)
Operation Temperature

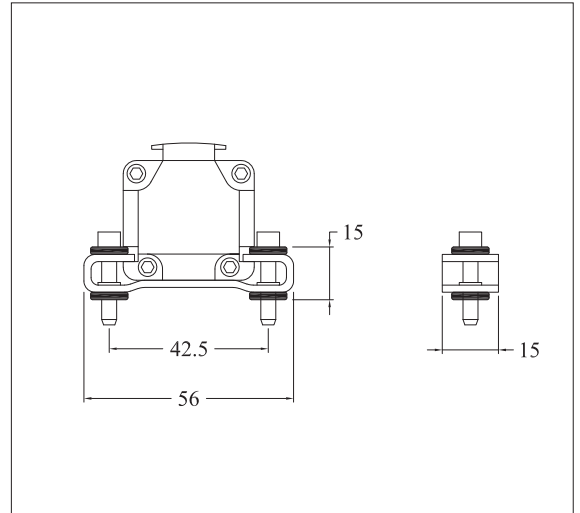
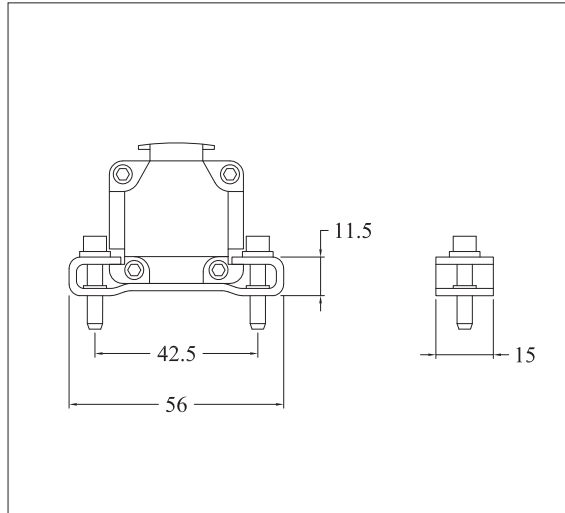
1800 951 003
Plastic
~12g
0.1 - 4mm
±8 m m
-40 to 75°C

1800 951 004
Plastic
~40g
0.1 - 10mm
±20 m m
-40 to 75°C

Discription
For series

42.5mm Mounting
18/19 Series

42.5mm Isolation Mounting
18/19 Series



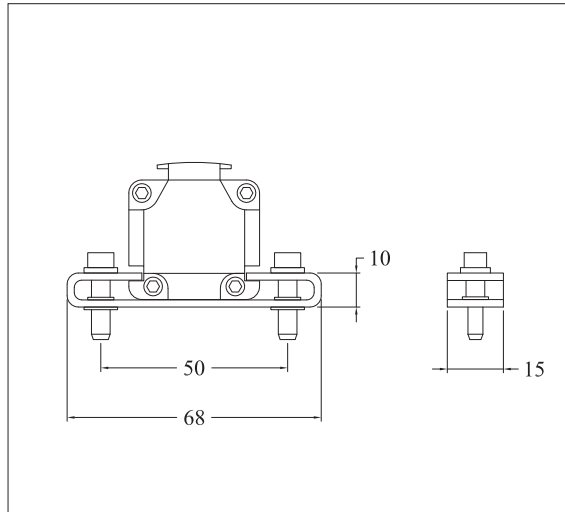
Order Code
Material
Installation
Torque

1800 951 007
Stainless Steel
M4 x 20 (not included)
Max. 4 Nm

1800 951 008
Stainless Steel
M4 x 20 (not included)
Max. 0.5 Nm

Discription
For series

50mm Mounting
18/19 Series



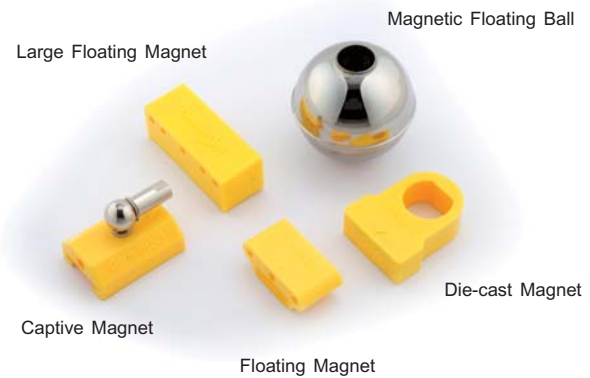
42.5mm Isolation Mounting      50mm Mounting



42.5mm Mounting

Order Code
Material
Installation
Torque

1800 951 009
Stainless Steel
M5 x 20 (not included)
Max. 5 Nm



Large Floating Magnet

Magnetic Floating Ball

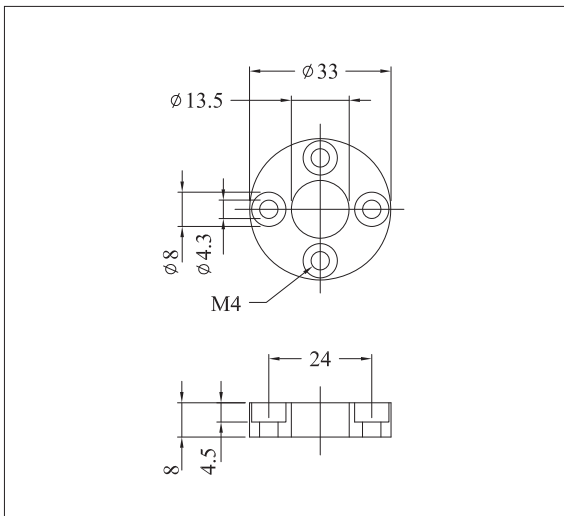
Captive Magnet

Floating Magnet

Die-cast Magnet

Discription  
Order Code

Dia. 33mm ring  
1700 951 001



Material  
Weight

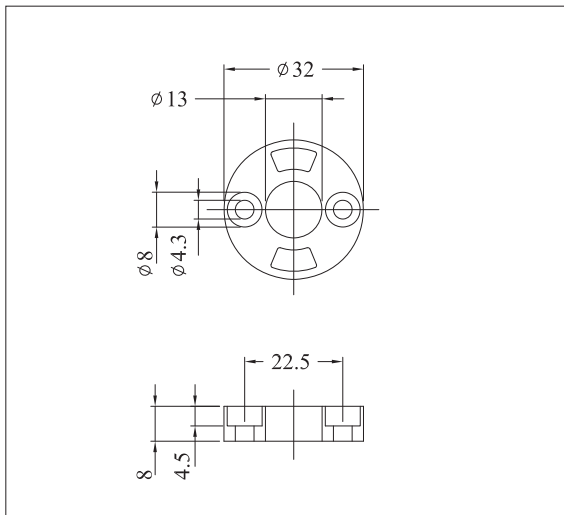
Plastic  
~8g

Discription  
Order Code  
Material

Dia. 33mm Spacer  
1700 951 002  
Plastic

Discription  
Order Code

Dia. 32mm ring  
1700 951 020

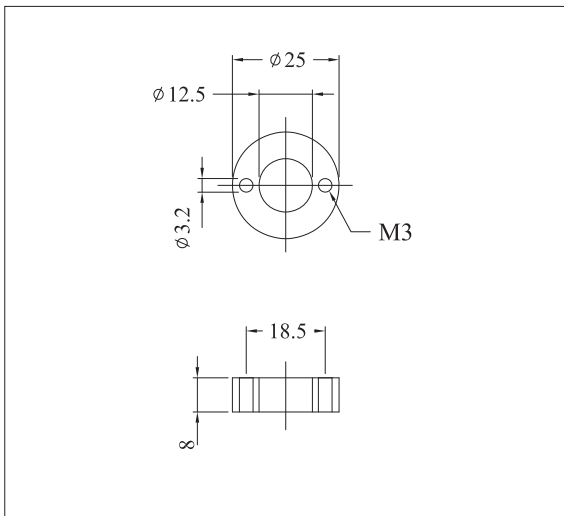


Material  
Weight

Plastic  
~8g

Dia. 32mm Spacer  
1700 951 021  
Plastic

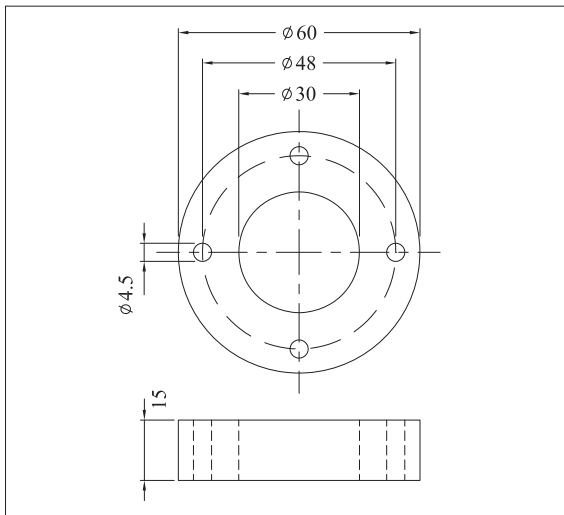
Dia. 25mm ring  
1700 951 003



Plastic  
~8g

Dia. 25mm Spacer  
1700 951 004  
Plastic

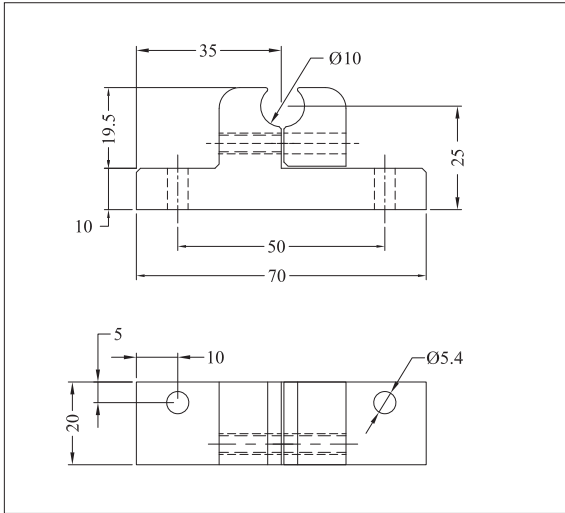
Dia. 60mm ring  
1900 951 004



Plastic  
~30g

Discription  
Order Code

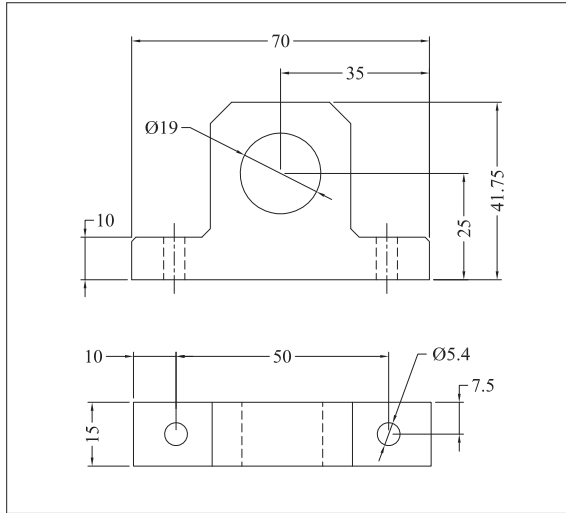
10mm dia. housing pipe mounting  
1900 951 002



Material  
Weight

Aluminium  
~30g

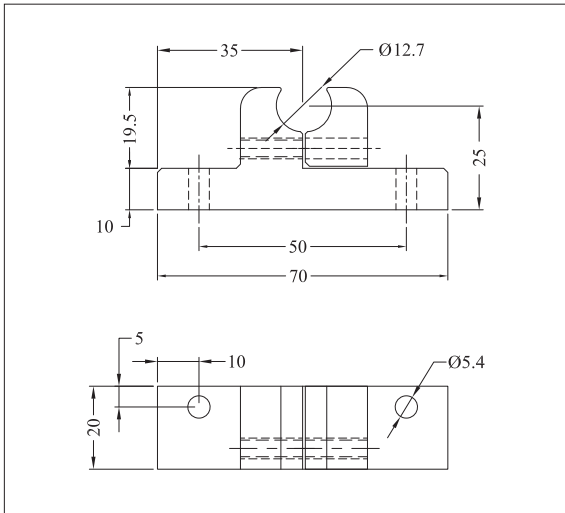
M18x1.5 flange external mounting  
1900 951 003



Aluminium  
~45g

Discription  
Order Code

12.7mm dia. housing pipe mounting  
1900 951 005



Material  
Weight

Aluminium  
~30g



10mm dia. housing pipe mounting



60mm ring

25mm ring

33mm ring

## M12 Connector

EtherCAT / Profinet		EtherCAT / Profinet Input	EtherCAT / Profinet Output	24V Power Input
Model		4 pins M12 D-model male	4 pins M12 D-model male	4 pins M8 female
Order Code		1800 951 041	1800 951 041	1800 951 040
197 / 199 Series				
Profibus		Profibus Input	Profibus Output	24V Power Input
Model		5 pins M12 B-model female	5 pins M12 B-model male	4 pins M8 female
Order Code		1800 951 063	1800 951 064	1800 951 060
195 series D53				
Model		6 pins D60 female	6 pins D60 male	
Order Code		1800 951 010	1800 951 066	
195 series D63				
SSI / Start Stop		Signal Output / Power Input		
Model		8 pins M12 female		
Order Code		1800 951 026		
17 / 18 series				
Analog Output		Signal Output / Power Input		
Model		5 pins M12 A-model female		
Order Code		1800 951 017		
17 / 18 series				



\*Cable Dia. 6-8mm

## D60 / D70 Connector

Discription	90° Degree Connector (female)	
	D60	D70
Model		
Order Code	1800 951 011	1800 951 013
Material	Cu Zn / Plastic	
Discription	Straight Connector (female)	
	D60	D70
Model		
Order Code	1800 951 010	1800 951 012
Material	Cu Zn / Plastic	



90 Degree female  
Length: 55mm



Straight female  
Length: 55mm

## Fieldbus Terminator

CANbus			
Model		CANbus D62 terminator	
Order Code		1800 951 044	
194 series			
Profibus			
Model		Profibus D53 terminator	
Order Code		1800 951 043	
195 series D53			
Profibus			
Model		Profibus D63 female terminator	
Order Code		1800 951 028	
195 series D63			
		Profibus D63 male terminator	
		1800 951 068	



M63 Female Terminator  
Length: 45mm



M53 Terminator  
Length: 47mm

## Twisted Pairs Cable with Connector Order Code

1 8 0 0 9 5 X X X X X

### Connector

- 1 1 = No connector, cable only
- 1 2 = D60 straight female
- 1 3 = 4 pins connector (IP67)
- 1 4 = 5 pins M12 A model female
- 1 5 = 8 pins M12 female
- 1 6 = D60 90 degree female
- 1 7 = D70 straight female
- 1 8 = D70 90 degree female
- 1 9 = 4 pins connector (IP65)
- 2 0 = 4 pins M12 D model male
- 2 1 = 4 pins M8 female
- 2 4 = 4 pins M8 female metal

### Profibus Connector and Cable

- 2 8 = Profibus 5 pins M12 B model female
- 2 9 = Profibus 5 pins M12 B model male
- 3 0 = Profibus 6 pins D63 female
- 3 1 = Profibus 6 pins D63 male

### Cable Length

Please select the cable length in unit Meter  
For example, 01 = 1 Meter

For 11 to 21, PVC shield twisted pair 3 x 2 x 0.2mm<sup>2</sup>  
For 28 to 29, Profibus Network Cable

### Cable Type

- R = PVC cable
- H = PUR cable
- T = Teflon cable

Color Code	5Pins M12 A	4Pins IP65/67
Black	2	P3
White	5	P2/P3 Gnd.
Yellow	4	P2
Green	N.C.	N.C.
Red	1	P1
Blue	3	P4

Color Code	D60	D70	8Pins M12	4Pins M12 D
Black	1	1	4	1
White	2	2	3	3
Yellow	3	3	1	4
Green	4	4	2	2
Red	5	5	7	N.C.
Blue	6	6	8	N.C.

Color Code	Profibus Cable	
	5P M12 Male	5P M12 Female
Green	2	2
Red	4	4
Shield	N.C.	5

Color Code	24V Power Cable	
	4P M8 Profibus	4P M8 EtherCAT
Red	1	1
Blue	3	3



\*1m cable with D60 straight connector  
Order code: 1800951201

## Level Sensing Accessories



Discription	Floating Ball
Order Code	1700 951 005
Material	304 SS
Inside Dia. (ID)	15 mm
Out Dia./Height	52 x 52 mm
Density	0.7
Pressure Rating	40 bar



Discription	Floating Ball Stopper
Order Code	1700 951 013
Material	304 SS
Inside Dia. (ID)	10 mm
Out Dia./Height	20 x 13 mm

## Programming Tools



Order Code	1700 951 018
Discription	19 Series Analog Programming Tool

The 19 series analog programming tool can be used to set the "zero" and "end" values anywhere within the nominal factory stroke range.



Order Code	1700 951 032
Discription	19 Series Profibus Simulator

The master simulator can be used to check the sensor functions and to change the slave address. The magnet positions can be read out and diagnostic data.

## Diagnostic Tools

Ranging from simple, low cost displays to allow visual position monitoring to full-featured displays with programmable capability, Germanjet offers a display product to meet any application requirement.

Diagnostic Display Module



Diagnostic Meter (Sensor not included)



	Diagnostic Meter	Diagnostic Display Module	Function Discription
CANbus	1800 951 050	1800 951 053	CANbus position sensor input CANbus address modification 0 - 10V position output
Start / Stop	1800 951 049	1800 951 052	7 segments LED display Start/Stop position sensor input 0 - 10V position output
SSI	1800 951 051	1800 951 054	7 segments LED display SSI position sensor input 0 - 10V position output

## Euro Card Holder

This cardholder is for mounting Euro standard controller card. The card is installed by slowly slide into the card holder. Both ejector buttons need to be pushed down to release the card. The holder can be mounted on DIN rail or screwed down.

### Features

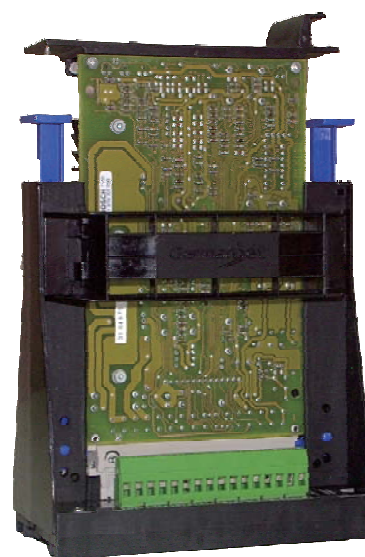
- Compression screw terminals for wire connections.
- Terminal connections on both sides of card holder.
- Fastens to 35mm DIN rail or directly screw to panel.
- Circuit board hold downs.
- Ejector buttons smoothly release card.

### Technical Data

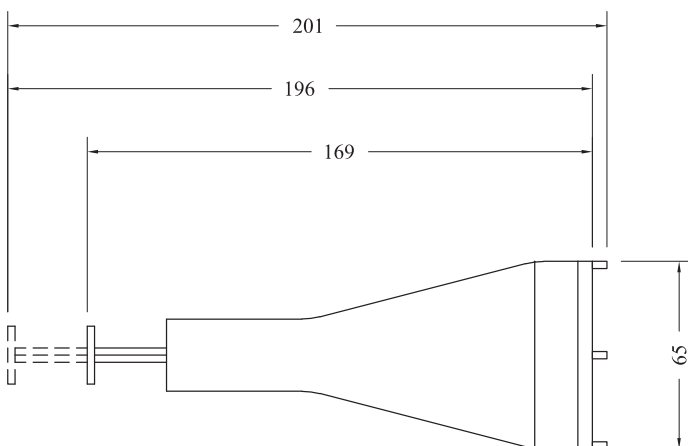
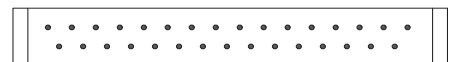
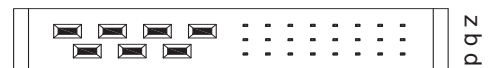
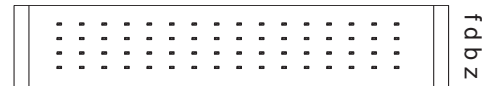
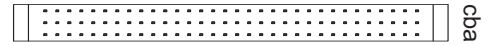
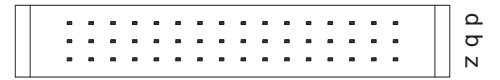
- Maximum wire size - 4mm<sup>2</sup> (12 AWG).
- Recommended 225mm (9" or larger) box depth with card inserted.
- 0.5lb to 0.75lb Weight.

### Mounting

- 2 clearance holes.
- 4.2 mm (0.165in.) dia. X 9.5 mm (3/8 in.) depth



Format	Pins	Pins Config.	Order Code
DIN 41612, Form F	32	row b, z	1 834 486 001
	48	row z, b, d	1 834 486 003
DIN 41612, Form C	32	row a,c	1 834 486 004
	64	row a,c	1 834 486 002
	96	row a,b,c	1 834 486 006
DIN 41612, Form B	64	row a,b	1 834 486 005
DIN 41612, Form D	32	row a,c	1 834 486 007
DIN 41612, Form G	64	row z,b,d,f	1 834 486 008
DIN 41612, Form M	24+7	row z,b,d	1 834 486 009
DIN 41617	31	all	1 834 486 010



screw terminal for fast connection.

