

DESCRIPTION

INDICATOR for:

- AC/DC VOLTS (600V and 100V)
- AC/DC AMPERES (1A and 5A)

48 x 24 mm frontal

Fully programmable panel meter for AC/DC **volts** and **amperes** measurement.
Configurable decimal point.
Controlled by three keys situated on the bottom of the frontal display.



TECHNICAL SPECIFICATIONS

INPUT	VOLTAGE		CURRENT	
	600	100	1A	5A
AC Range	0÷600V	0÷100V	0÷1A	0÷5A
DC Range	-199.9÷600V	±100V	±1A	-1.999÷5A
Resolution	0.1V	0.1V	1mA	1mA

INPUT IMPEDANCE

Volts 3MΩ
Amperes 14mΩ

ACCURACY at 23°C ±5°C

DC: 600V AC, 5A AC ±(0.2% rdg + 3 digits)
100V AC, 1A AC ±(0.4% rdg + 4 digits)
Temperature coefficient 100 ppm/°C
Warm-up time 5 minutes

POWER SUPPLY AND FUSES (DIN 41661, not included)

PICA-E: 85-265V AC 50/60Hz and 100-300V DC F 0.1A/ 250V
PICA-E6: 21-53V AC 50/60Hz and 10.5-70V DC .. F 0.5A/ 250V
Power consumption 1.8W

CONVERSION

Technique Sigma-Delta
Resolution ±15 bits
Conversion rate 20/s

DISPLAY

Range -1999÷9999 DC, 0÷9999 AC
Type 4 red digits 10mm
Display refresh rate 4/s
Display/input overrange indication *OL*

ENVIRONMENTAL CONDITIONS

Operating temperature -10°C ÷ +60°C
Storage temperature -25°C ÷ +85°C
Relative humidity (non condensing) <95% @ 40°C
Maximum altitude 2000m
Frontal protection degree IP65

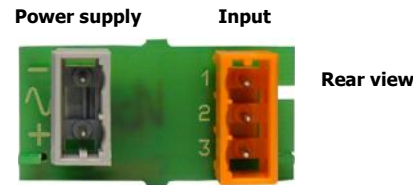
PROGRAMMING

Display range: Inputs **600** **100** DC -1999 ÷ 9999
Display range: Inputs **5A** **1A** DC -1999 ÷ 9999
Display range: Inputs **600** **100** AC 0 ÷ 9999
Display range: Inputs **5A** **1A** AC 0 ÷ 9999

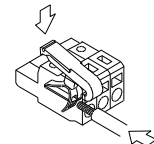


Keys detail (bottom view)

CONNECTIONS



Rear view

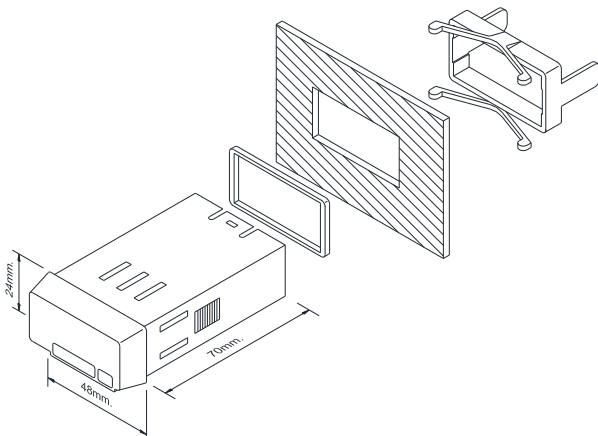


Cable insertion tool

DIMENSIONS AND MOUNTING

Dimensions 48 x 24 x 70 mm
Panel cutout 45 x 22 mm
Weight 60g
Case material Polycarbonate s/ UL 94 V-0

Instruments include a sealing gasket and a fixing clip for frontal and rear panel installation.



CN1	POWER SUPPLY	
	AC VERSION	DC VERSION
PIN		
1	AC LO	-V DC
2	AC HI	+V DC
CN2	SIGNAL INPUT	
1	IN (COMMON)	
2	100V / 600V (AC/DC)	
3	1A / 5A (AC/DC)	

ORDERING CODES

PICA-E:85-265V AC 50/60Hz and 100-300V DC
PICA-E6: 21-53V AC 50/60Hz and 10.5-70V DC