

## DESCRIPTION

DIGITAL METER for the following input signals:

- LOAD CELL ( $\pm 300\text{mV}$ ,  $\pm 30\text{mV}$ )

**JR-C** and **JR20-C** models are specially designed for direct connection to load cells, they can be adapted to most existing cells in the market. Easy to scale into desired engineering units, directly by frontal keys or real input signal value in teach mode.

**Universal AC/DC voltage supply.** Fully configurables through 3 frontal keys, they allow signal input type selection and also provide a **5 or 10V DC** and up to **30mA** load current output for sensor excitation.

**4 digit indicator** with **14mm** digit and **-9999** to **9999** display range for JR-C and **20mm** digit and **-1999** to **9999** display range for JR20-C, configurable decimal point and 2 led for setpoints status indication (if output 2RE option card is installed).



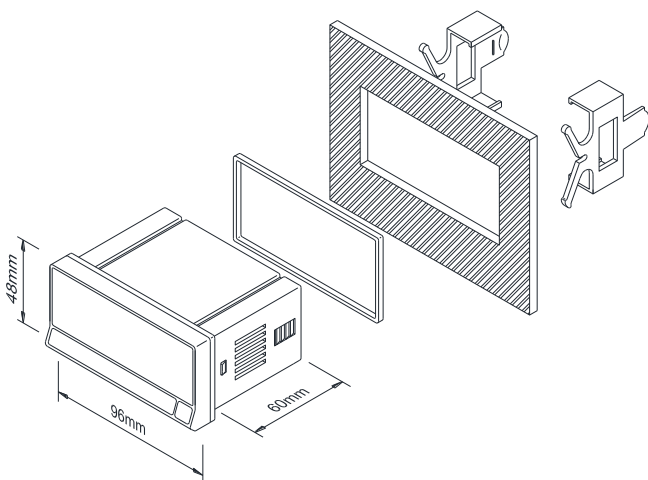
Detection, saving, later recalling and resetting of maximum and minimum values reached by the input signal since last reset activation. Reset function sets automatically memorized value to current input signal value when maximum or minimum value are displayed. Maximum and minimum values recalling to display and reset functions are directly available through frontal keys.

TARE and TARE RESET functions available through frontal key or through a logic (O.C) or contact switch input present at rear connector for a remote activation.

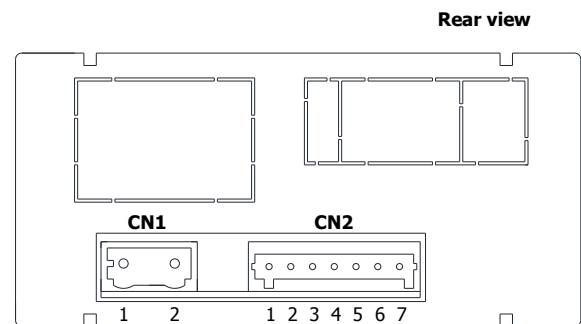
## DIMENSIONS AND MOUNTING

Dimensions..... 96 x 48 x 60 mm (1/8 DIN).  
 Panel cutout ..... 92 x 45 mm.  
 Weight ..... 150g.  
 Case material ..... UL 94 V-0 polycarbonate

Instruments include a sealing gasket and 2 fixing clips for frontal and rear panel installation.



## CONNECTIONS



CN1	POWER SUPPLY
1	V DC / V AC
2	V DC / V AC
CN2	INPUT SIGNAL
1	-IN (COMMON)
2	+IN (300mV / 30mV)
3	N.C.
4	+TARE
5	- EXC / TARE
6	+EXC
7	N.C.

## ORDERING CODES

**JR-C:** ..... 20-265V AC 50/60Hz and 11-265V DC (14mm digit)  
**JR20-C:** ..... 20-265V AC 50/60Hz and 11-265V DC (20mm digit)

## TECHNICAL SPECIFICATIONS

### SPECIAL FUNCTIONS

Return to factory configuration.  
Software configuration lock-out.

### PRECISION

Temperature coefficient ..... 100 ppm/°C  
Warm-up time ..... 5 minutes  
Specifications range ..... 23°C±5°C

### POWER SUPPLY AND FUSES (DIN 41661) (not included)

**JR-C:** 20-265 V AC 50/60 Hz and 11-265 V DC.. F 3A/ 250V  
**JR20-C:** 20-265 V AC 50/60 Hz and 11-265 V DC.. F 3A/ 250V  
Power consumption (both models) ..... 3W  
Sensor excitation (stabilized) (both models) ..... 5V or 10V DC  
Maximum load current ..... 30mA

### CONVERSION

Technique ..... Sigma-Delta  
Resolution ..... 16 bit  
Conversion rate ..... 20/s

### FILTER

Cutoff frequency (-3dB) ..... 1.20Hz to 0.18Hz  
Slope ..... -20dB/Dec.

### DISPLAY

Range:  
JR-C ..... -9999 ÷ 9999, 14mm RED LED  
JR20-C ..... -1999 ÷ 9999, 20mm RED LED  
Decimal point ..... Configurable  
LEDs ..... 2 for setpoints state indication  
Display refresh rate ..... 50ms  
Display/input overrange indication ..... "-**OuE**", "**OuE**"  
Sensor failure indication ..... "**OuE**"  
TARE and TARE RESET functions ..... Through frontal key  
Remote TARE function ..... Logic input (O.C.) or contact switch  
Remote TARE RESET ..... Logic input (O.C.) or contact switch  
MAX./MIN. and MAX./MIN. RESET func. .... Through frontal key

### ENVIRONMENTAL CONDITIONS

Operating temperature ..... -10°C ÷ +60°C  
Storage temperature ..... -25°C ÷ +85°C  
Relative humidity (non-condensing) ..... <95% @ 40°C  
Maximum altitude ..... 2000m  
Frontal protection degree ..... IP65

### INPUT SIGNAL

Configuration ..... Differential asymmetrical

### mV DC input

Input impedance ..... 3MΩ  
EMI max. Influence (±30mV) ..... ±6μV  
EMI max. Influence (±300mV) ..... ±60μV  
Maximum input signal (±30mV) ..... ±32mV  
Maximum input signal (±300mV) ..... ±320mV  
Maximum bridge resistance (±30mV) ..... 3kΩ  
Maximum bridge resistance (±300mV) ..... 5kΩ

RANGE	RESOLUTION	ACCURACY
±30mV	2μV	±(0.05%rdg + 6μV)
±300mV	15μV	±(0.05%rdg + 60μV)

### 2RE OPTION

Maximum switching current (resistive load) ..... 8A  
Maximum switching power ..... 2000VA / 192W  
Maximum switching voltage ..... 400VAC / 125VDC  
Contact rating ..... 8A @ 250VAC / 24VDC  
Contact resistance ..... ≤ 100mΩ at 6V DC @ 1A  
Contact type ..... SPDT  
Operate time ..... ≤ 10ms