

Profibus DP slave



**57 mm high digits. Industrial environment
Readable from up to 25m
1 o 2 displaying sides.**

Application field

Production counting and display.
Any variable from a PLC, counters, RPM, temperature.

Colour option

Available for models DN-109 and DN-119. It lets you to choose the display colour depending on the input value. The valid colours are: Red, green and yellow.



Option to display the measures units

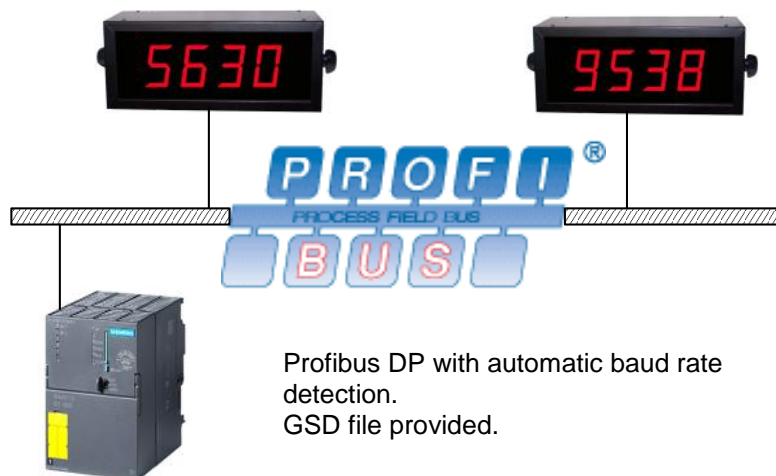
Several measure units can be permanently displayed: Kg, Tm, °C, mV, m/s, l/s, or any other unit, as the consumer desires, up to three characters.

DISPLAY CONFIGURATION

The displays include two push buttons to configure the display address, the data type, time without reception and decimal point position.

General specifications

Numeric display Height	57mm
Unity of mesures text Height (optional)	45mm
Visibility	30 meters
Valid characters	0 a 9, A,b,C,c,d,E,F,H,h,i,J,L,n,o,P,r,U,u [espace],=, [point],uppers., unders.
Maximum environmental illumination	1000 lux
Maximum environmental lighting. Models (eh)	No applicable
Colour. Red/Green/Yellow	Applicable
Supply voltage	88 to 264 VAC 47 to 63Hz. Option 24VCC
Display sides	One or two
Housing	Rugged aluminum extrusion
Mounting	Wall or suspension
Protocols	PROFIBUS DP Slave 12MHz
Operating temperature	-20° to 60°C
Storage temperature	-30° to 70°C
Protection level	IP41 (option IP65)

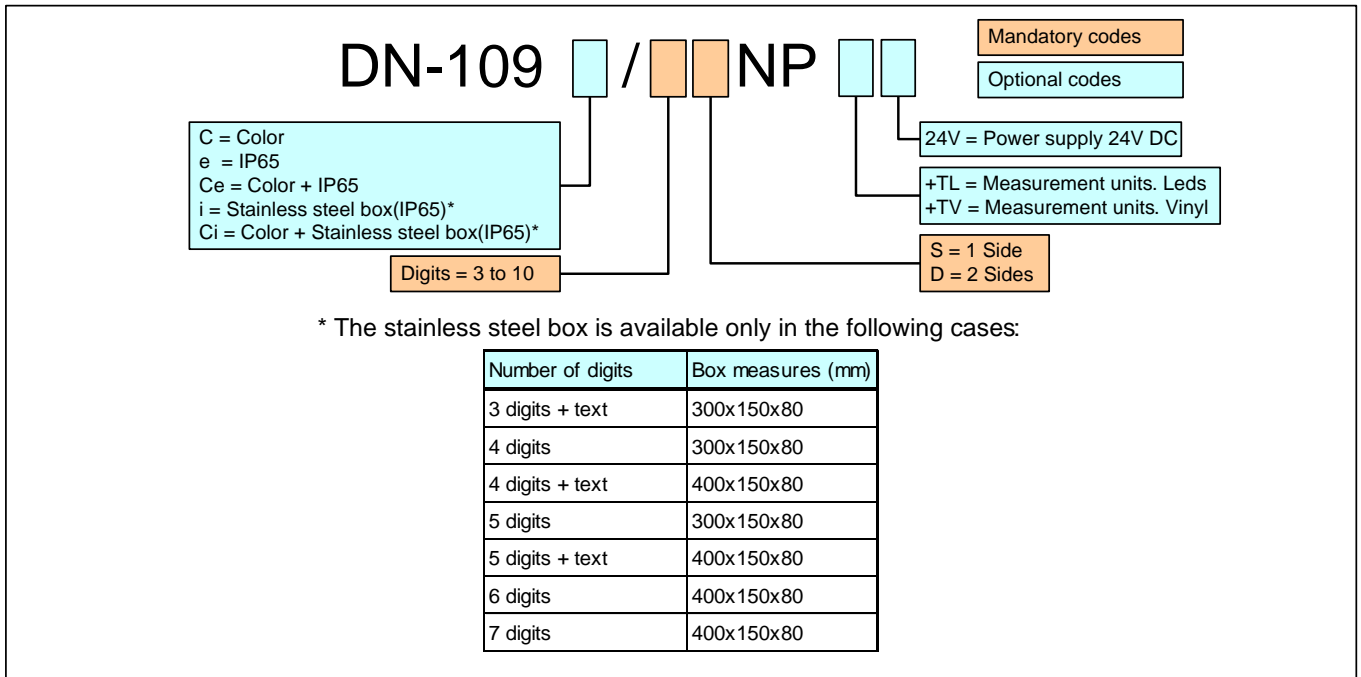


Dimensions

Dígitos	3	4	5	6	7	8	9	10
---------	---	---	---	---	---	---	---	----

DN-109	Height = 122mm			Depth = 120mm					
Width in mm	288	288	288	336	382	430	478	526	
Width + Option text	288	336	382	430	478	526	574	622	

Reference composition



EXAMPLES:

DN-109/4DNP

4 Digits, DN-109 series display, two sides.

DN-109e/5SNP+TL "m/m"

5 Digits, DN-109 series display, one side. Protection degree IP65. Fixed text "m/m" in red leds.

DN-109C/3SNP

3 Digits, DN109 series display, tricolour, one side.