

CLOCK

10:47

THERMOMETER



20.4°C

RH MEASURE



58%

**100 mm high digits.
Readable from up to 50m**

Options:

- **GPS time synchronization**
- **Ethernet communication using web server**
- **Alarms with relays**

General characteristics

Power supply	100V a 240V AC 50/60Hz
Box	Thermoformed methacrilate and steel base
Fixing	1 side: Against the wall
Display	Red leds
Working conditions	-15°C a 60°C
Protection level	IP41
Battery	NI-MH 3,3V.
Clock deviation	<2s per month
Measures	440 x 720 x 60mm

Humidity and temperature probe characteristics

	Temperature	Humidity
Resolution	0,1°	1%
Precision	±0,5°at 25°C	±3,5% between 30% and 70%
Warm-up time	20s	4s

GPS characteristics

Antenna	Active antenna with 5m long cable and magnetic fixation
Receiver	GPS L1
Warm-up time	< 1minute

Installation

The display is provided with power socket, plugs and screws for mounting to the wall. No specific skills are required for its installation.

The time and display settings can be modified using three buttons located on the rear part, accessible once installed.

GPS option

The GPS option requires proximity window or facilities with thin roof. There is a parameter in the display menu for evaluating the quality of the received signal.

The antenna has a magnet for fastening ferrous elements and 5m cable

Ethernet option

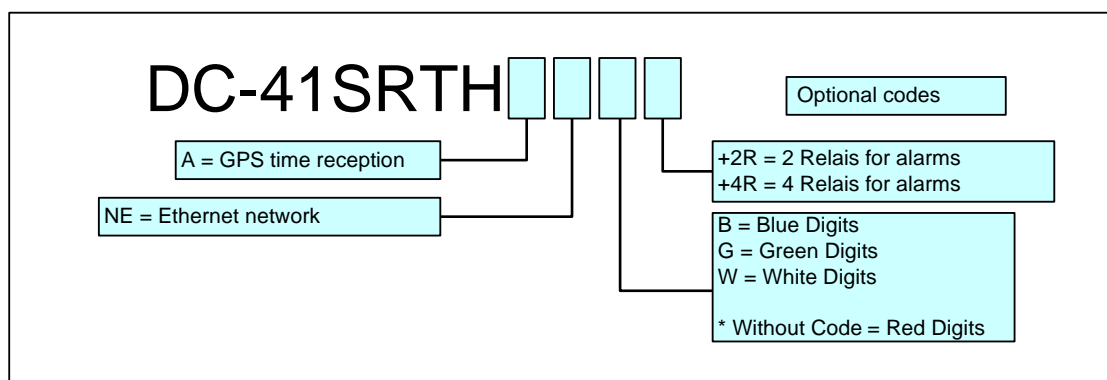
The option allows to connect to the display using Ethernet knowing only the IP address. Within the display there is a web server that allows us to see the time, date, level of GPS signal (if the display has the option) and the IP address. The user can also change the display settings.

To access the web server the user must enter the IP address of the clock in the browser URL.

Relays option

Displays with relay option include 2 or 4 relays with 15 programable alarms for each one. The alarms are programmed using the display web page.

Reference composition



EXAMPLES:

DC41SRTH

DC41SRTH series display

DC41SRTHA

DC41SRTH series display GPS time synchronization