

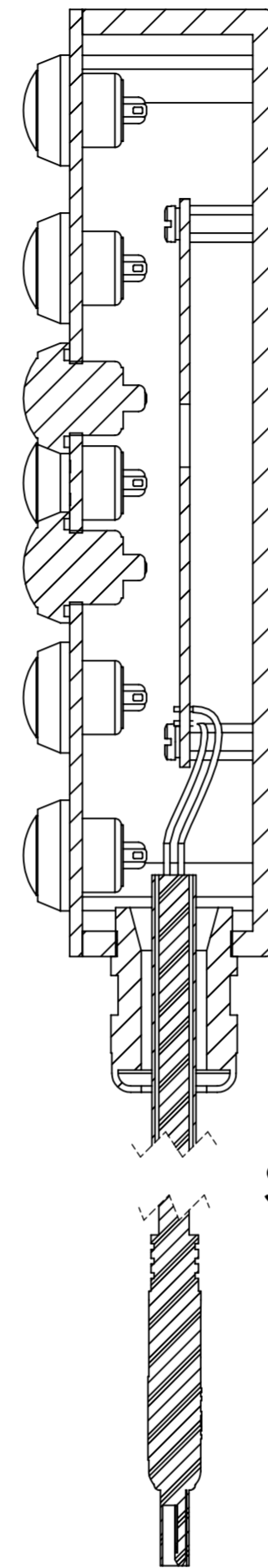
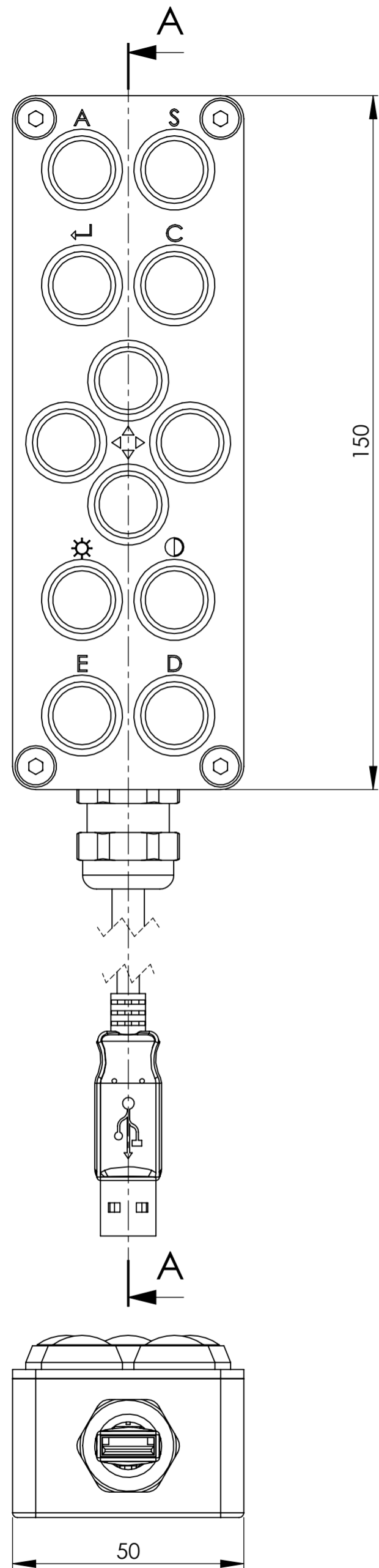
Drawing Number: CDG-GEN-0420

Current Revision: 2.0

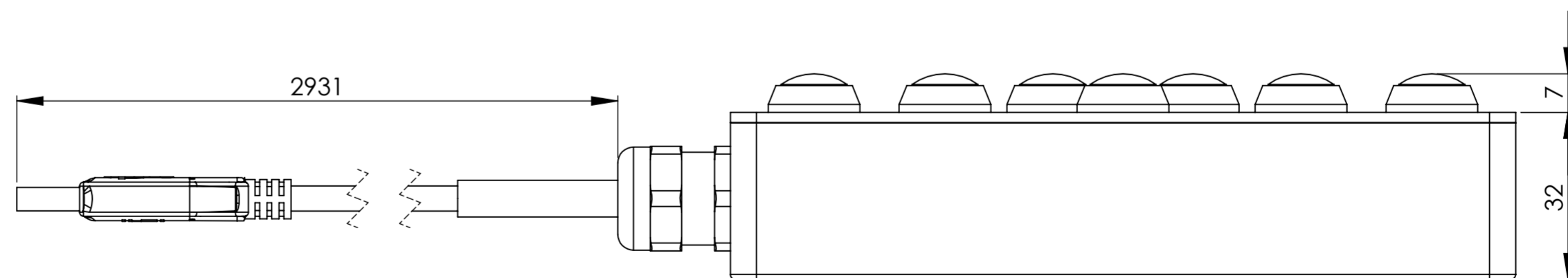
Date: 1/11/2012 11:16:43 AM

RECORD OF ISSUE

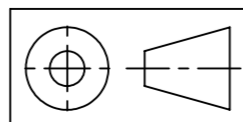
REV NO.	CHANGE MADE	PREPARED BY	APPROVED BY	DATE
1.0	<ul style="list-style-type: none">DRAWING CREATED	M Dzidowski	B Leighton	26/09/2012
2.0	<ul style="list-style-type: none">ADDED USB FUNCTIONALITYUPDATED ELECTRICAL DRAWING TO SHOW USB CONNECTIONUPDATED BOMADDED ASSEMBLY NOTES	M Dzidowski	B Leighton	17/10/2012



SECTION A-A



DRAWN TO AS1100 DIMENSIONS ARE IN MILLIMETERS



DATE DRAWN 26/09/2012	DATE MODIFIED 1/11/2012	REVISION NO. 2.0	Control Devices ENGINEERING		Unit 5, 79 Bourke Road Alexandria NSW 2015 AUSTRALIA Phone: +61 2 9330 1700 Fax: +61 2 9368 7100 E-mail: sales@controldevices.net	
DRAWN BY M Dzikowski		CHECKED BY B Leighton		TITLE 12 Button Hand Controller USB Output		
TOLERANCES LINEAR: $\pm 1.0\text{mm}$ ANGULAR: $\pm 1.0^\circ$ OR AS SHOWN		TYPE PROJECTION PRINTED COPIES ARE UNCONTROLLED		CODE INDENT NO. CDG-GEN-0420	DRAWING NO. CDG-GEN-0420	SHEET SIZE A2
SCALE: 1:1 OR AS SHOWN				SHEET 2 OF 5	WEIGHT: N/A	DO NOT SCALE

