

CDJ420

Single or Dual Axis Joystick with 4-20 mA Output

The Control Devices CDJ420 Joystick can be supplied with a battery rail voltage anywhere from 8-30 Vdc. The CDJ420 Joystick supplies the appropriate voltage levels to both ends of the joystick pot taps, as well as the centre tap. The output from the joystick is 4-20mA. The CDJ420 can be configured to give 12mA as the centre current or 4mA as the centre current. The CDJ420 can be supplied with single output for each axis or dual output for each axis with separate power supplies where dual redundancy is required. Directional switches are also provided if a discrete signal for displacement is required.

ELECTRICAL

Dielectric Strength	2500V
Insulation Resistance	10 MΩ
Supply Voltage	+8Vdc to +30Vdc
Current Consumption	40 mA
Over Current/Voltage Protection	Yes - TVS Diode
Polarity Protection	Yes - Diode
Output Type	Current
Number of Analogue inputs/outputs	2 (standard) or 4 (dual redundancy)
Output range	4-20 mA (Factory set – other ranges available on request)
Life	5 Million operations
EMC	TBA

ENVIRONMENTAL

Shock	TBA
Vibration	TBA
Ingress Protection	IP65
Operating Temperature Range	-40°C to +85°C
Weight	Approx.750g

MECHANICAL

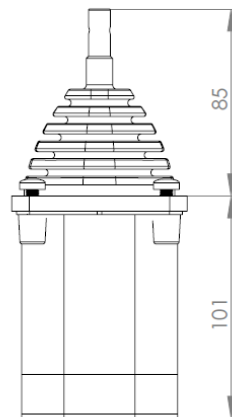
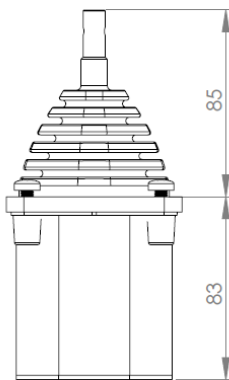
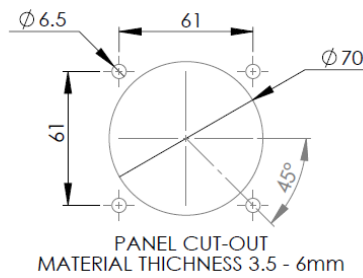
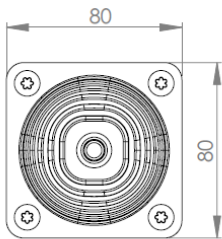
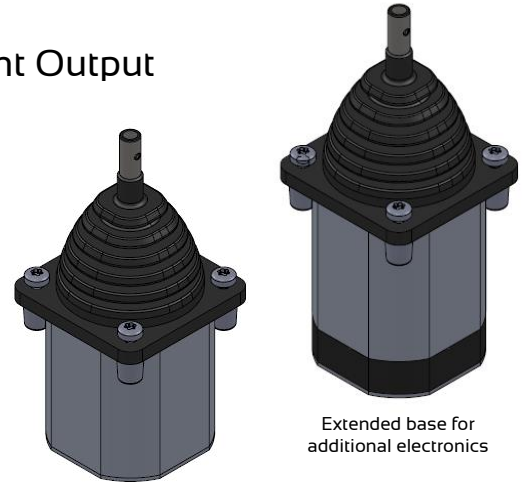
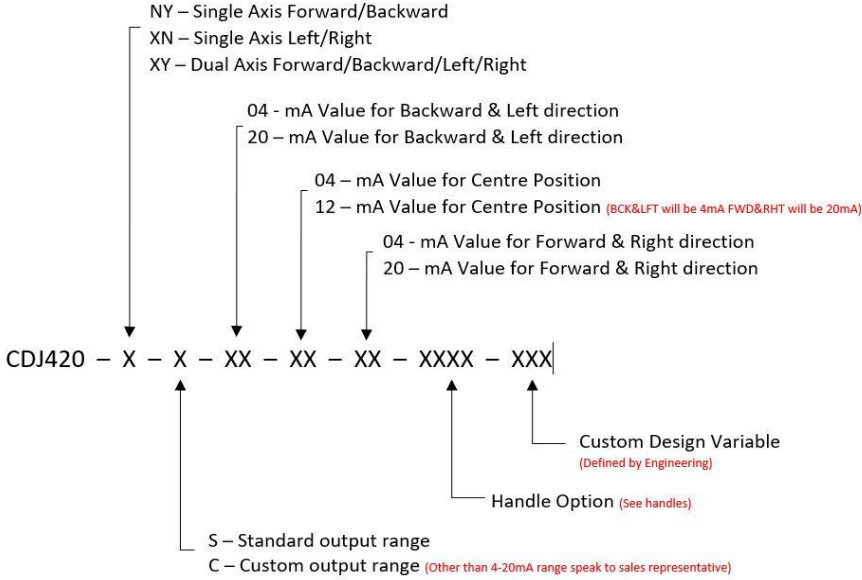
Dimensions	See drawing
Life	5 Million operations



CDJ420

JC6000 with 4-20 mA Current Output

Part configuration:



HANDLE OPTIONS

HKN Knob



MG Handle



MDG Grip



RD1 Grip



'A' Handle



CDK Knob



DMD Handle



Custom Handles

Contact our sales team for custom options



